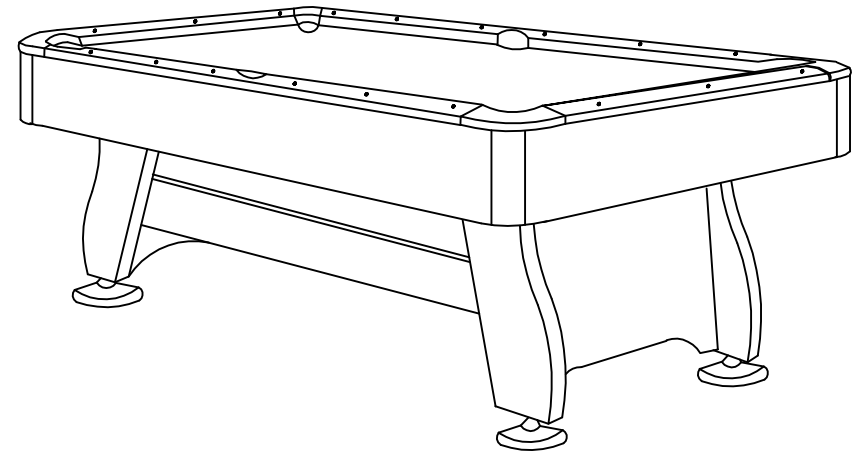


# BILLIARD TABLE

## ASSEMBLY INSTRUCTIONS P02- 7FT



### **ATTENTION:**

Assembly have finished, please do not move it.  
If you have to move, please back it up first.

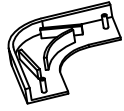
### **IMPORTANT:**

Please read through the instruction book before  
attempting assembly to familiarize yourself with  
all part and assembly steps

P1

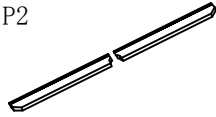
# PARTS IDENTIFIER

P1



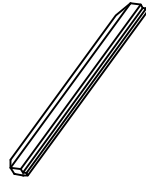
TOP CORNER  
4pcs

P2



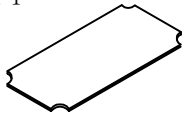
TOPRAIL (LONG)  
2pcs

P3



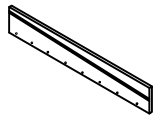
TOP RAIL (END)  
2pcs

P4



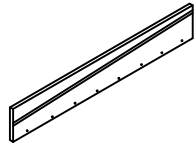
PLAYING SURFACE  
1pc

P5-A



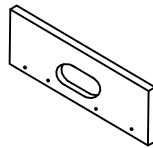
APRON SIDE PANELS (R)  
1pc

P5-B



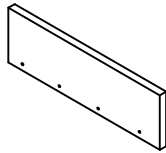
APRON SIDE PANELS (L)  
1pc

P6-A



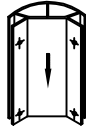
APRON BALL RETURN  
PANELS 1pc

P6-B



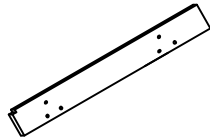
APRON END PANELS  
1pc

P7



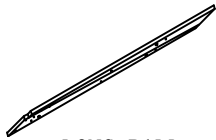
APRON CORNER  
4pcs

P8-A



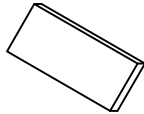
LONG RAIL  
1pc

P8-B



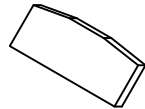
LONG RAIL  
1pc

P9



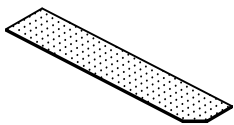
SHORT RAIL CENTER  
2pcs

P10



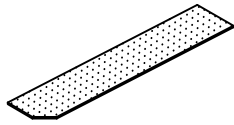
SHORT RAIL RETURN END  
1pc

P11-A



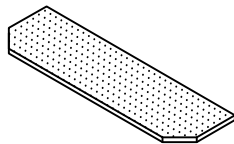
LONG REYURN BOARD (R)  
1pc

P11-B



LONG RETURN BOARD (L)  
1pc

P12



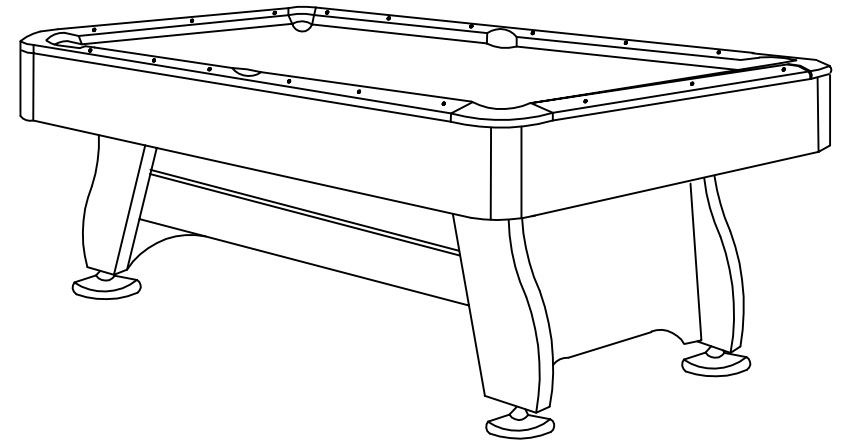
SHORT REYURN BOARD  
1pc

# ASSEMBLY INSTRUCTIONS

P10

WARNING: TWO ADULTS NEEDED ASSEMBLE POOL TABLE

FIG. 13



ASSEMBLY INSTRUCTIONS

WARNING: TWO ADULTS NEEDED ASSEMBLE POOL TABLE

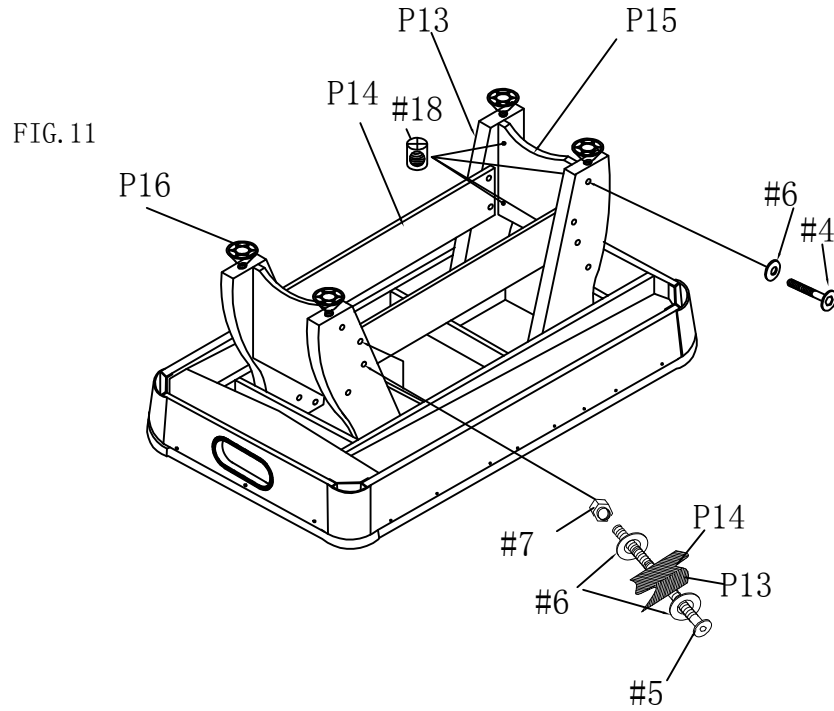
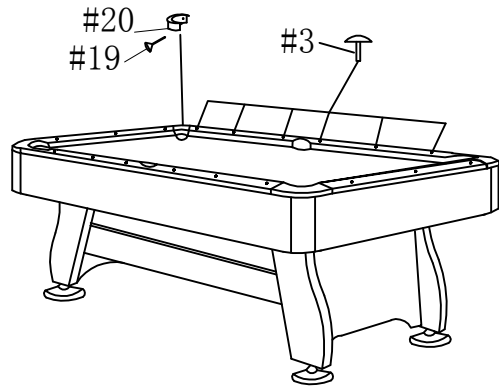

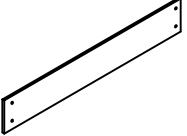
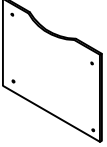

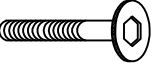


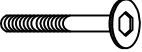
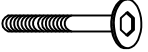




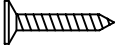
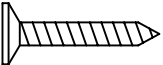


FIG. 12


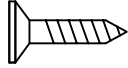
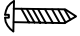

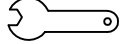

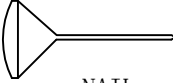

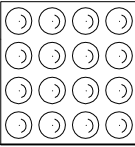

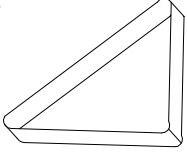
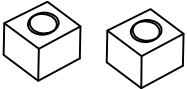



PARTS IDENTIFIER

<p>P13</p>  <p>LEGS 4pcs</p>	<p>P14</p>  <p>LEG SIDE PANELS 2pcs</p>	<p>P15</p>  <p>LEG END PANELS 2pcs</p>
<p>P16</p>  <p>LEG LEVELERS 4pcs</p>	<p>#1</p>  <p>5/16" x 2-1/2" BOLTS 12pcs</p>	<p>#2</p>  <p>5/16" BLACK FLAT WASHERS 12pcs</p>
<p>#3</p>  <p>WHITE JADE 18pcs</p>	<p>#4</p>  <p>1/4" x 3" BOLTS 8pcs</p>	<p>#5</p>  <p>1/4" x 2-1/2" BOLTS 8pcs</p>
<p>#6</p>  <p>1/4" BLACK FLAT WASHERS 32pcs</p>	<p>#7</p>  <p>LOCK NUT 8pcs</p>	<p>#8</p>  <p>8# X 1-1/4" PHILLIPS SCREWS 8pcs</p>
<p>#9</p>  <p>8# X 1-3/4" PHILLIPS SCREWS 18pcs</p>	<p>#10</p>  <p>7# X 1/2" PHILLIPS SCREWS 28pcs</p>	<p>#11</p>  <p>8# X 1-1/2" FLAT HEAD PHILLIPSCREWS 30pcs</p>

ASSEMBLY INSTRUCTIONS

WARNING: TWO ADULTS NEEDED ASSEMBLE POOL TABLE

<p>#12</p>  <p>TOP CORNER 2pcs</p>		<p>#14</p>  <p>7#X1/2" SHORT ROUND HEAD PHILLIPS SCREWS 16pcs</p>
<p>#15</p>  <p>7#X5/8" ROUND HEAD PHILLIPS SCREWS 10pcs</p>	<p>#16</p>  <p>TOOL 1pc</p>	<p>#17</p>  <p>TOOL 1pc</p>
<p>#18</p>  <p>1/4" BARREL NUT 8pcs</p>	<p>#19</p>  <p>NAIL 12pcs</p>	<p>#20</p>  <p>BALL BASKET 6pcs</p>
	<p>A1</p>  <p>BILLIARD BALL 1set</p>	<p>A2</p>  <p>CUE STICK 2pcs</p>
<p>A3</p>  <p>TRIANGLE 1pc</p>	<p>A4</p>  <p>CHALK 2pcs</p>	<p>A5</p>  <p>BRUSH 1pc</p>

ASSEMBLY INSTRUCTIONS

WARNING: TWO ADULTS NEEDED ASSEMBLE POOL TABLE

FIG.9

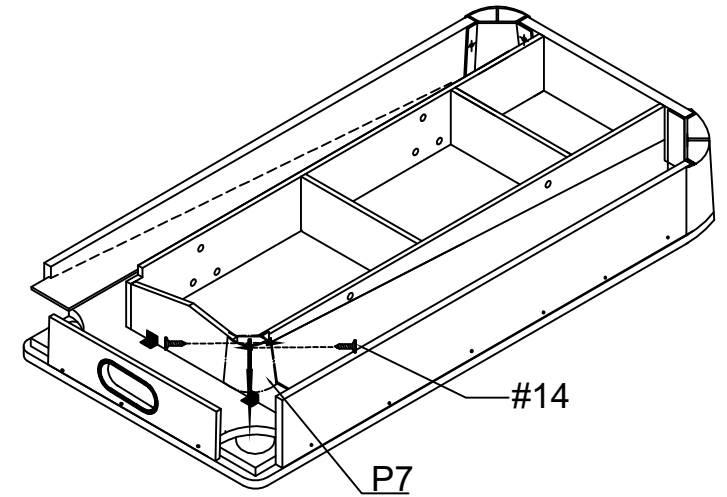
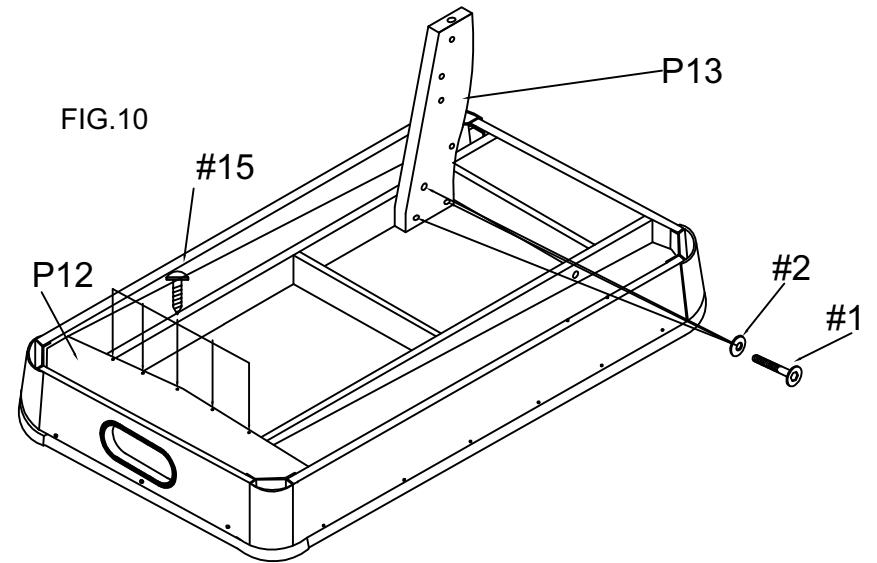


FIG.10



ASSEMBLY INSTRUCTIONS

WARNING: TWO ADULTS NEEDED ASSEMBLE POOL TABLE

FIG. 3

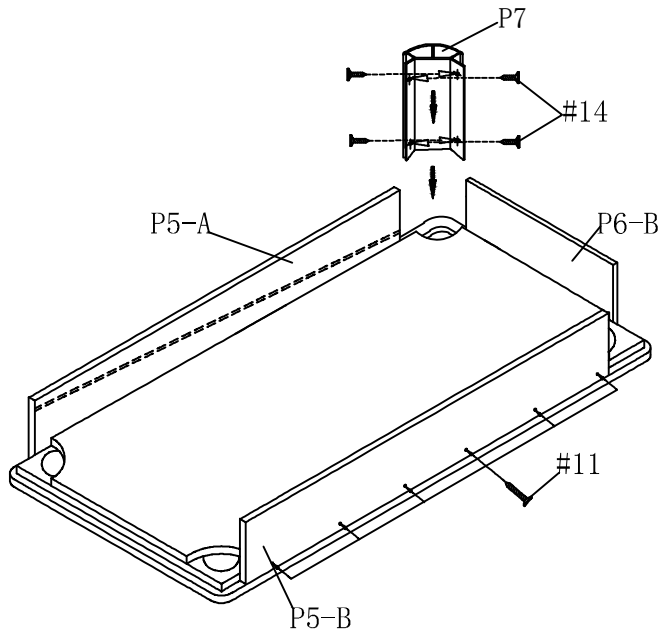
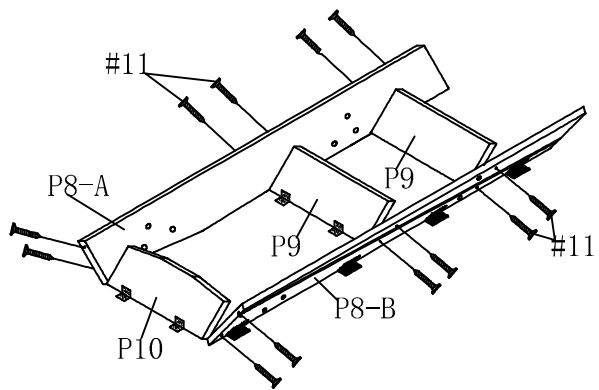


FIG. 4



ASSEMBLY INSTRUCTIONS

WARNING: TWO ADULTS NEEDED ASSEMBLE POOL TABLE

FIG. 5

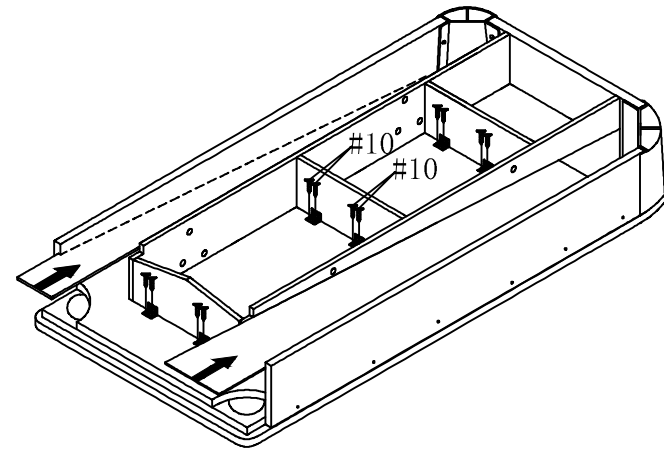
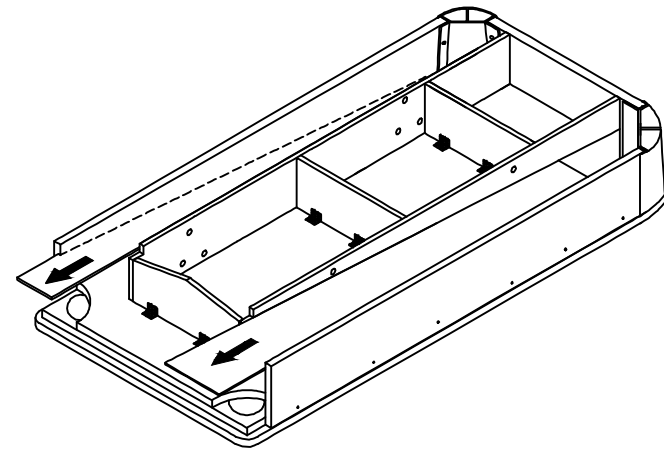


FIG. 6



ASSEMBLY INSTRUCTIONS

WARNING: TWO ADULTS NEEDED ASSEMBLE POOL TABLE

FIG. 7

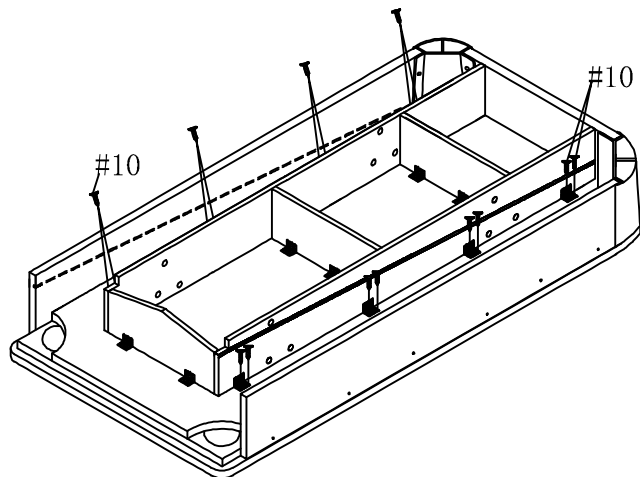
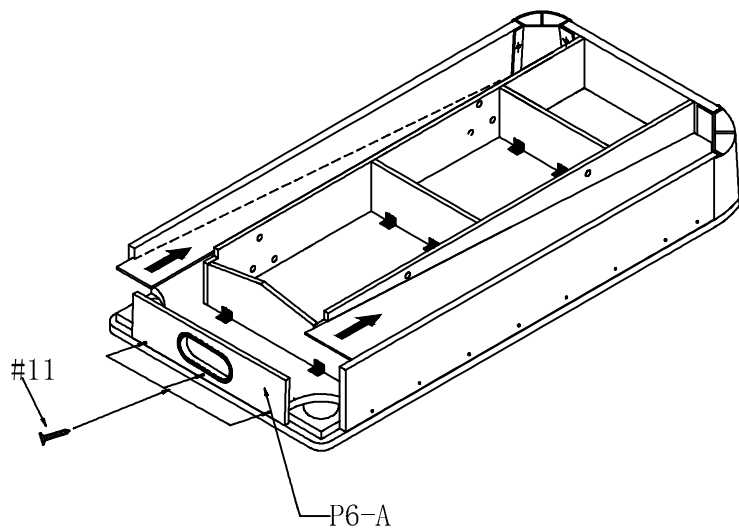


FIG. 8



ASSEMBLY INSTRUCTIONS

WARNING: TWO ADULTS NEEDED ASSEMBLE POOL TABLE

FIG. 1

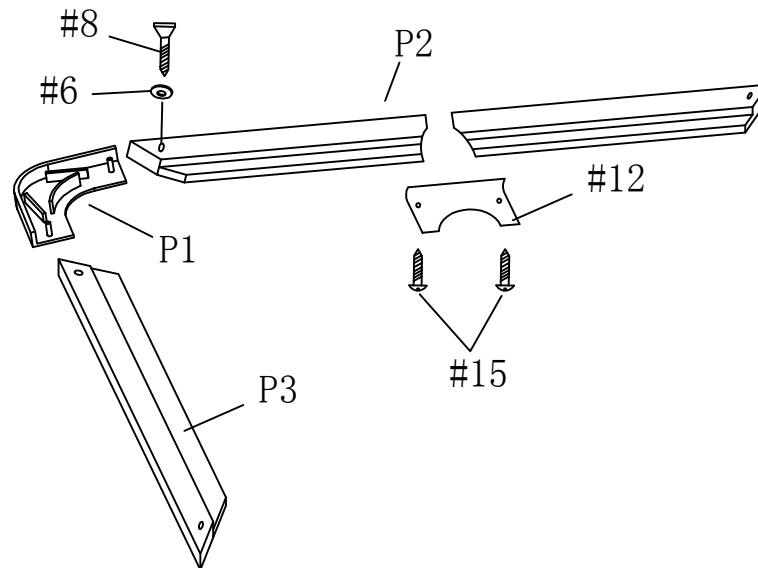


FIG. 2

