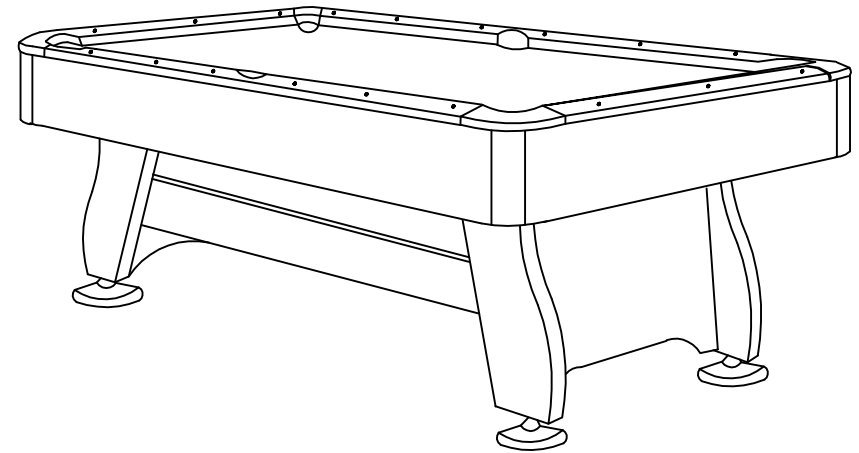


BILLIARD TABLE

ASSEMBLY INSTRUCTIONS
P02- 8FT



ATTENTION:

Assembly have finished, please do not move it.
If you have to move, please back it up first.

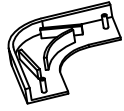
IMPORTANT:

Please read through the instruction book before
attempting assembly to familiarize yourself with
all part and assembly steps

P1

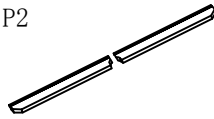
PARTS IDENTIFIER

P1



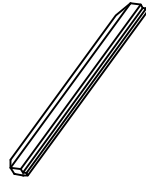
TOP CORNER
4pcs

P2



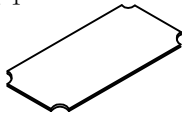
TOPRAIL (LONG)
2pcs

P3



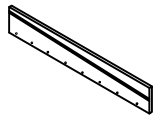
TOP RAIL (END)
2pcs

P4



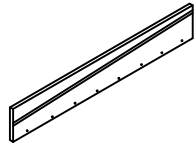
PLAYING SURFACE
1pc

P5-A



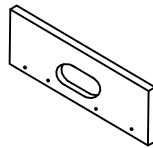
APRON SIDE PANELS (R)
1pc

P5-B



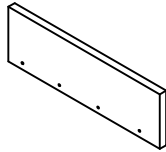
APRON SIDE PANELS (L)
1pc

P6-A



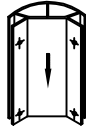
APRON BALL RETURN
PANELS 1pc

P6-B



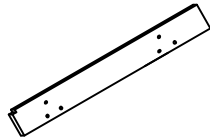
APRON END PANELS
1pc

P7



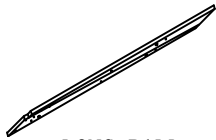
APRON CORNER
4pcs

P8-A



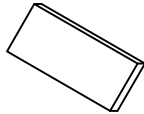
LONG RAIL
1pc

P8-B



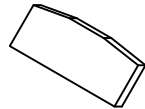
LONG RAIL
1pc

P9



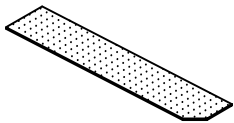
SHORT RAIL CENTER
3pcs

P10



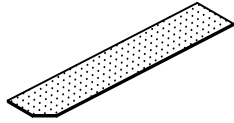
SHORT RAIL RETURN END
1pc

P11-A



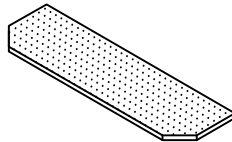
LONG REYURN BOARD (R)
1pc

P11-B



LONG RETURN BOARD (L)
1pc

P12



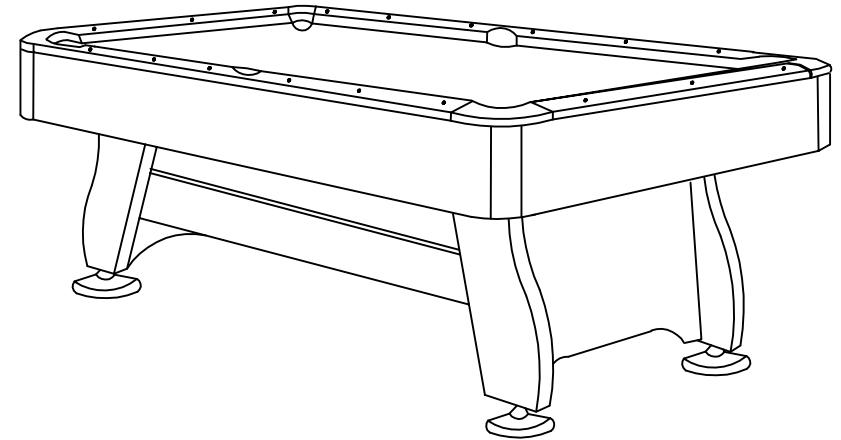
SHORT REYURN BOARD
1pc

ASSEMBLY INSTRUCTIONS

P10

WARNING: TWO ADULTS NEEDED ASSEMBLE POOL TABLE

FIG. 13



ASSEMBLY INSTRUCTIONS

WARNING: TWO ADULTS NEEDED ASSEMBLE POOL TABLE

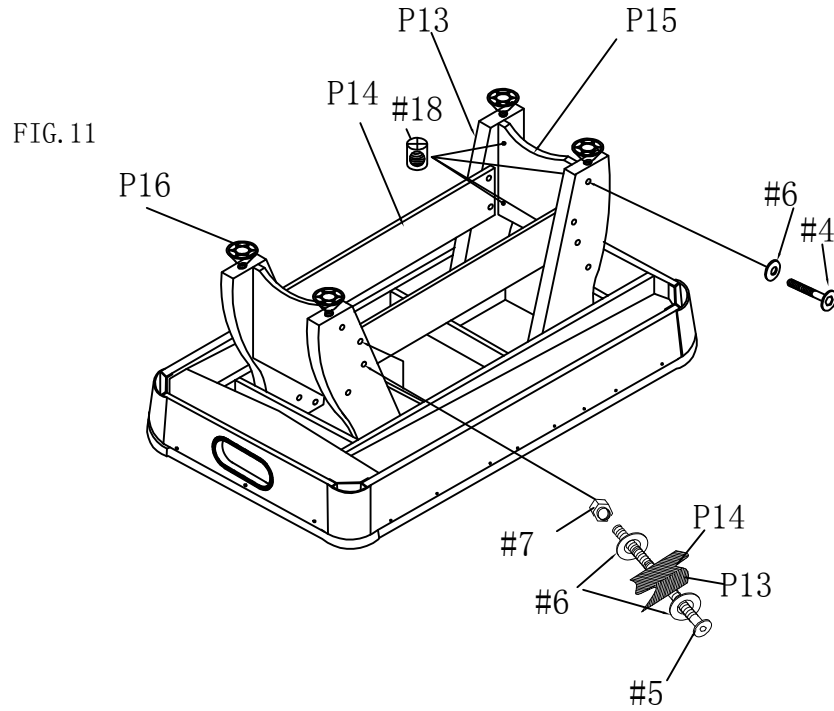
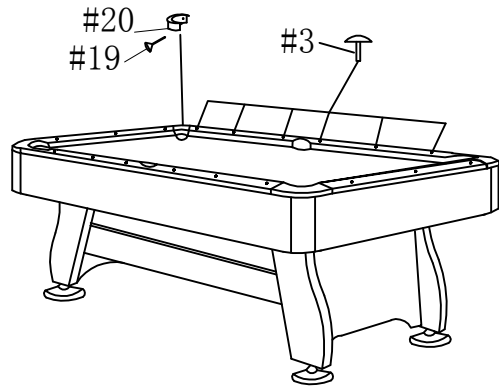

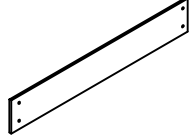
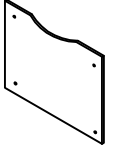

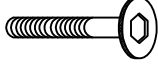
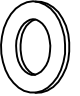

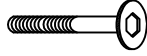
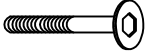


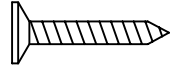

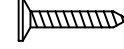
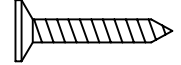


FIG. 12


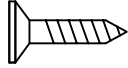
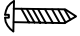

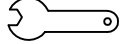

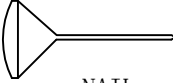

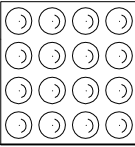

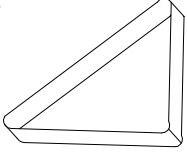
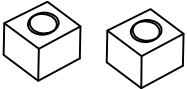



PARTS IDENTIFIER

<p>P13</p>  <p>LEGS 4pcs</p>	<p>P14</p>  <p>LEG SIDE PANELS 2pcs</p>	<p>P15</p>  <p>LEG END PANELS 2pcs</p>
<p>P16</p>  <p>LEG LEVELERS 4pcs</p>	<p>#1</p>  <p>5/16" x 2-1/2" BOLTS 12pcs</p>	<p>#2</p>  <p>5/16" BLACK FLAT WASHERS 12pcs</p>
<p>#3</p>  <p>WHITE JADE 18pcs</p>	<p>#4</p>  <p>1/4" x 3" BOLTS 8pcs</p>	<p>#5</p>  <p>1/4" x 2-1/2" BOLTS 8pcs</p>
<p>#6</p>  <p>1/4" BLACK FLAT WASHERS 32pcs</p>	<p>#7</p>  <p>LOCK NUT 8pcs</p>	<p>#8</p>  <p>8# X 1-1/4" PHILLIPS SCREWS 8pcs</p>
<p>#9</p>  <p>8# X 1-3/4" PHILLIPS SCREWS 24pcs</p>	<p>#10</p>  <p>7# X 1/2" PHILLIPS SCREWS 32pcs</p>	<p>#11</p>  <p>8# X 1-1/2" FLAT HEAD PHILLIPSCREWS 34pcs</p>

ASSEMBLY INSTRUCTIONS

WARNING: TWO ADULTS NEEDED ASSEMBLE POOL TABLE

<p>#12</p>  <p>TOP CORNER 2pcs</p>		<p>#14</p>  <p>7#X1/2" SHORT ROUND HEAD PHILLIPS SCREWS 16pcs</p>
<p>#15</p>  <p>7#X5/8" ROUND HEAD PHILLIPS SCREWS 10pcs</p>	<p>#16</p>  <p>TOOL 1pc</p>	<p>#17</p>  <p>TOOL 1pc</p>
<p>#18</p>  <p>1/4" BARREL NUT 8pcs</p>	<p>#19</p>  <p>NAIL 12pcs</p>	<p>#20</p>  <p>BALL BASKET 6pcs</p>
	<p>A1</p>  <p>BILLIARD BALL 1set</p>	<p>A2</p>  <p>CUE STICK 2pcs</p>
<p>A3</p>  <p>TRIANGLE 1pc</p>	<p>A4</p>  <p>CHALK 2pcs</p>	<p>A5</p>  <p>BRUSH 1pc</p>

ASSEMBLY INSTRUCTIONS

WARNING: TWO ADULTS NEEDED ASSEMBLE POOL TABLE

FIG.9

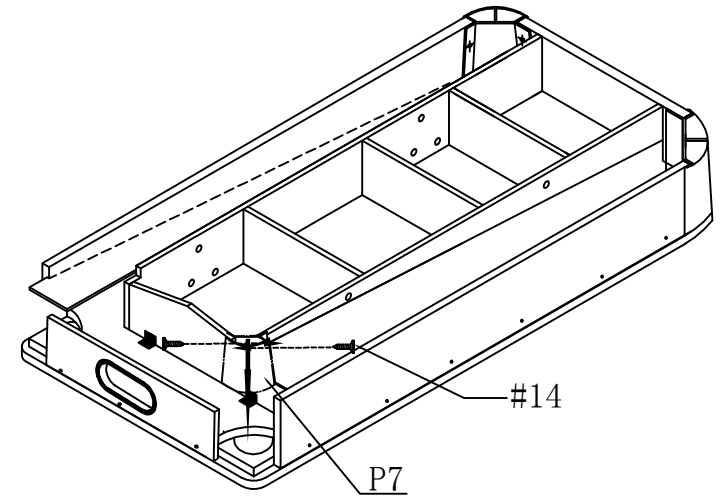
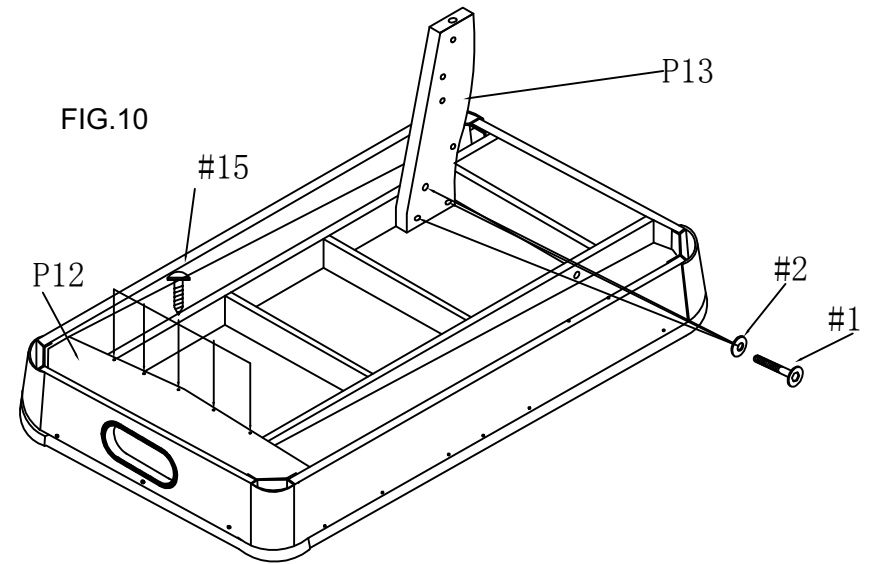


FIG.10



ASSEMBLY INSTRUCTIONS

WARNING: TWO ADULTS NEEDED ASSEMBLE POOL TABLE

FIG. 3

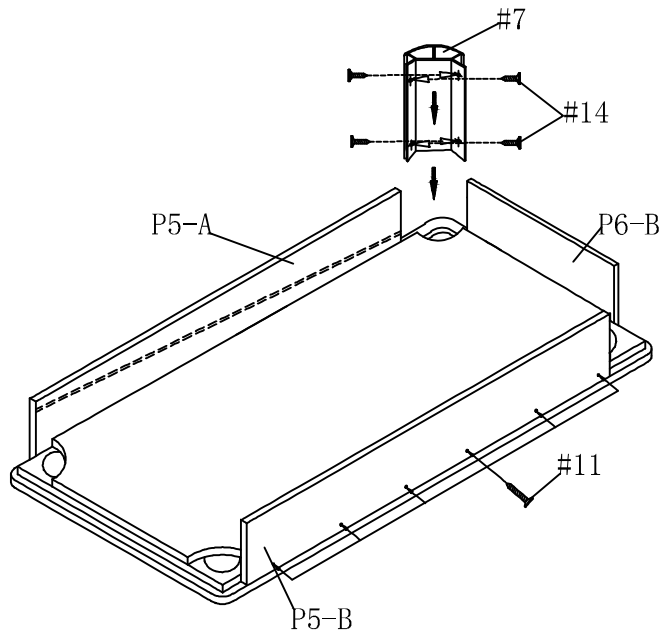
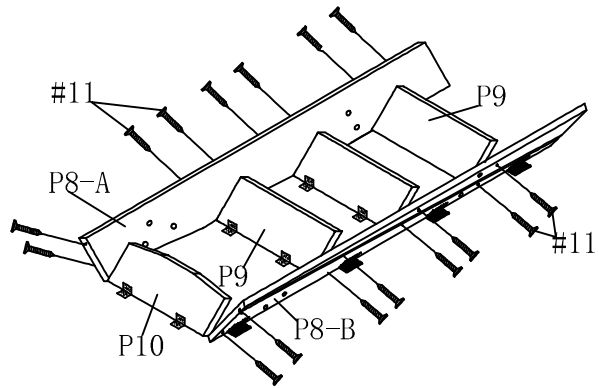


FIG. 4



ASSEMBLY INSTRUCTIONS

WARNING: TWO ADULTS NEEDED ASSEMBLE POOL TABLE

FIG. 5

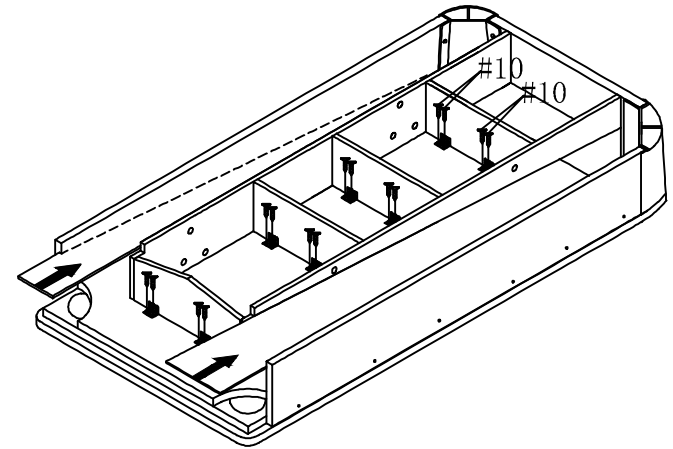
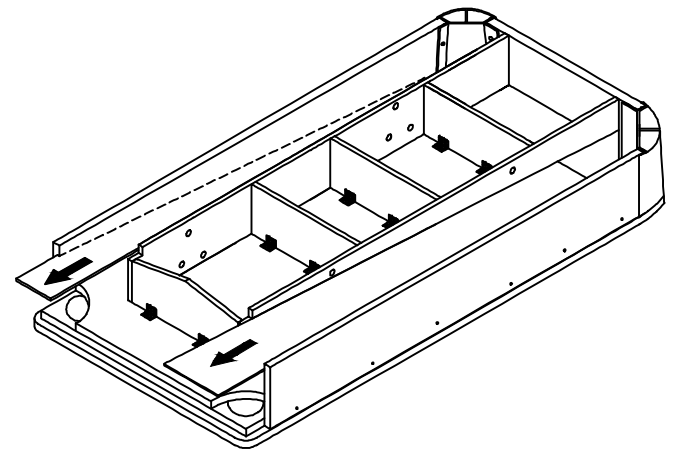


FIG. 6



ASSEMBLY INSTRUCTIONS

WARNING: TWO ADULTS NEEDED ASSEMBLE POOL TABLE

FIG. 7

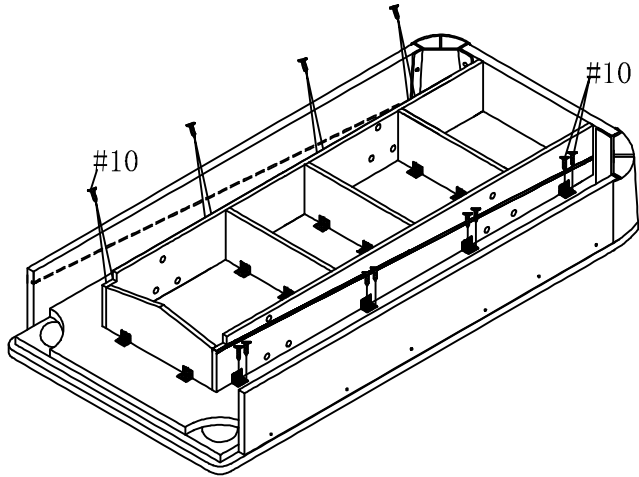
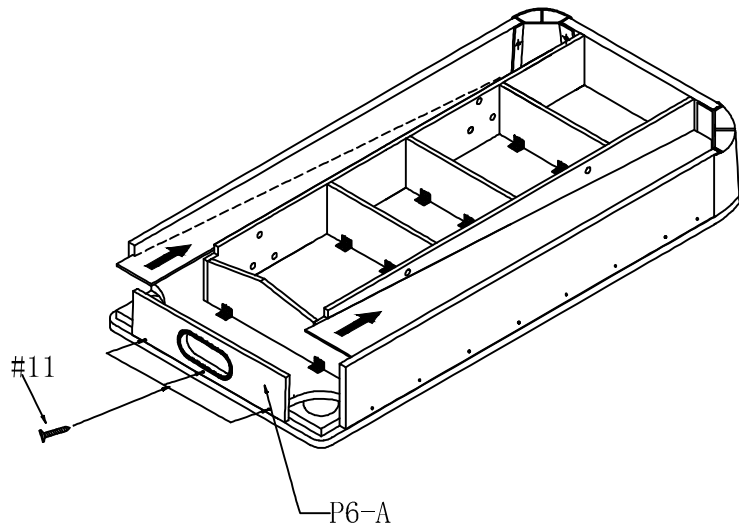


FIG. 8



ASSEMBLY INSTRUCTIONS

WARNING: TWO ADULTS NEEDED ASSEMBLE POOL TABLE

FIG. 1

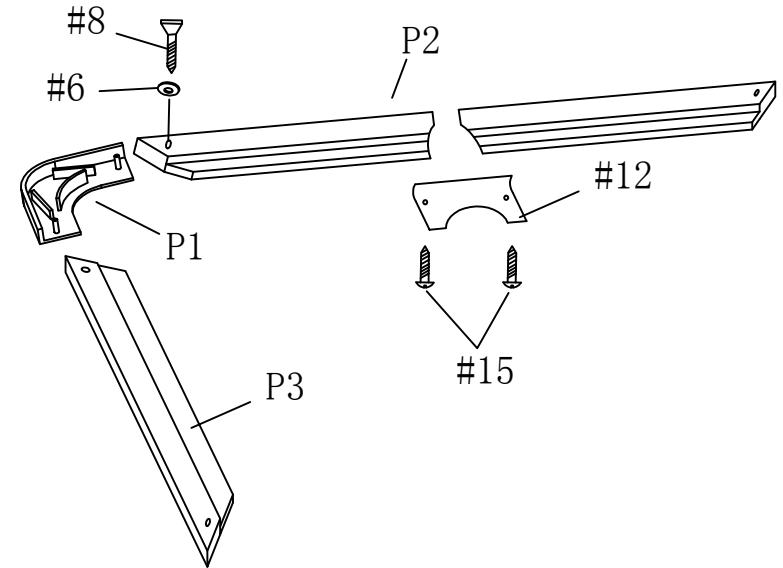


FIG. 2

