
















PARTS IDENTIFIER

<p>H1</p>  <p>Bolt 8 pcs</p>	<p>H2</p>  <p>noked $\varnothing 8$ 16 pcs</p>	<p>H3</p>  <p>Nut M8 8 PCS</p>	<p>H4</p>  <p>T type leg 4 pcs</p>	<p>H5</p>  <p>Leg Leveler 4 pcs(Pre-fixed)</p>
<p>H6</p>  <p>Caster 8 pcs(Pre-fixed)</p>	<p>H7</p>  <p>Screw 108 pcs</p>	<p>H8</p>  <p>Screw 78 pcs</p>	<p>H14A</p>  <p>Border 2 pcs</p>	<p>H14B</p>  <p>Border 4 pcs</p>
<p>H14C</p>  <p>Border 4 pcs</p>	<p>H14D</p>  <p>Border 2 pcs</p>	<p>H15</p>  <p>Lock 2 pcs</p>	<p>H16A</p>  <p>Corner 4 pcs</p>	<p>H16B</p>  <p>Corner 4 pcs</p>

WARNING:

Two or more adults needed to assemble a table
This table can be used indoors

ASSEMBLY INSTRUCTIONS

T&R SPORTS

(for 30MM/40mm/50mm undercarriage)

CAUTION

Please read all safety instructions before assembly
Failure to do so could result in personal or property damages

USAGE

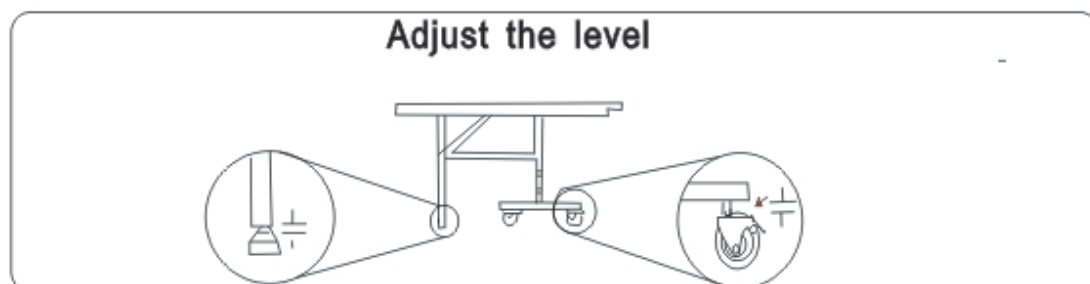
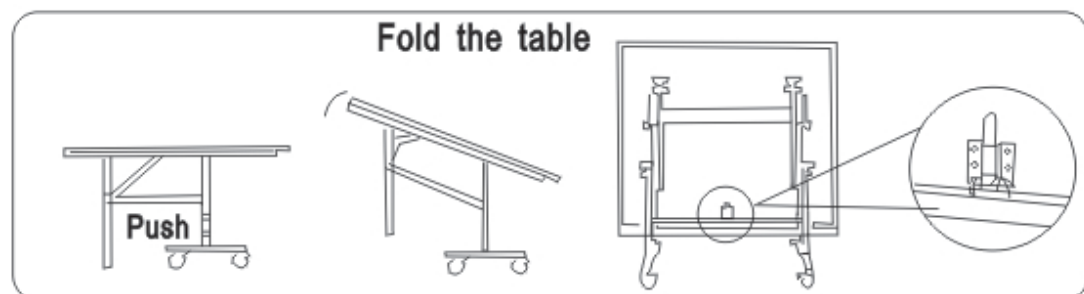
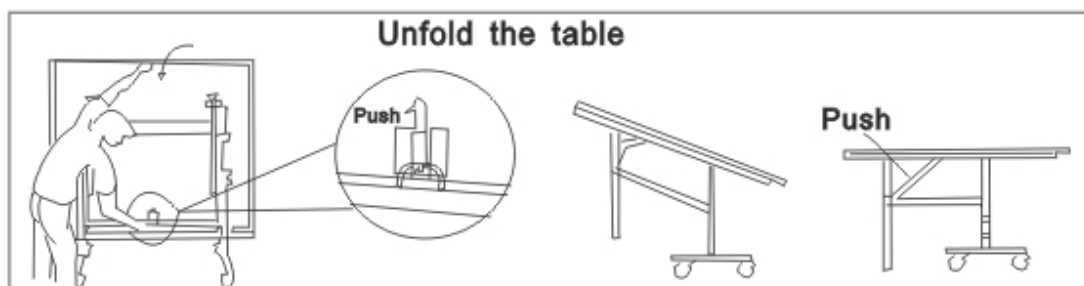
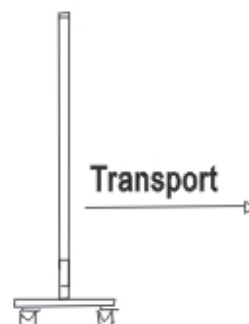
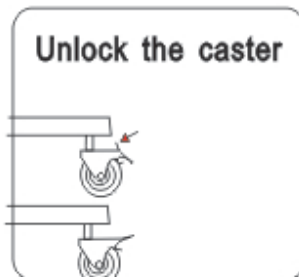
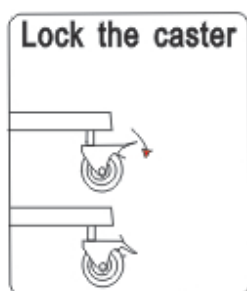


FIGURE 1 Fix the border

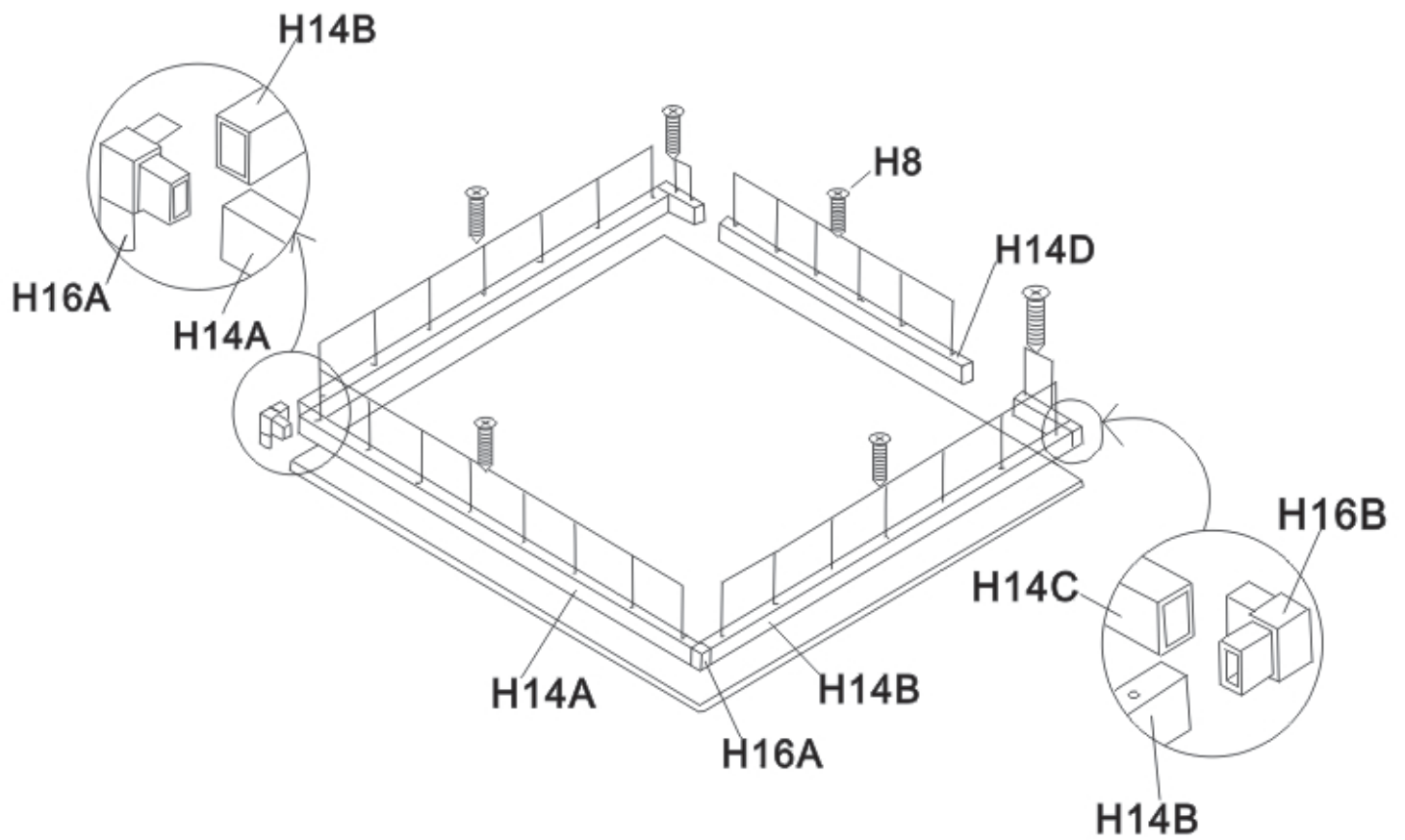
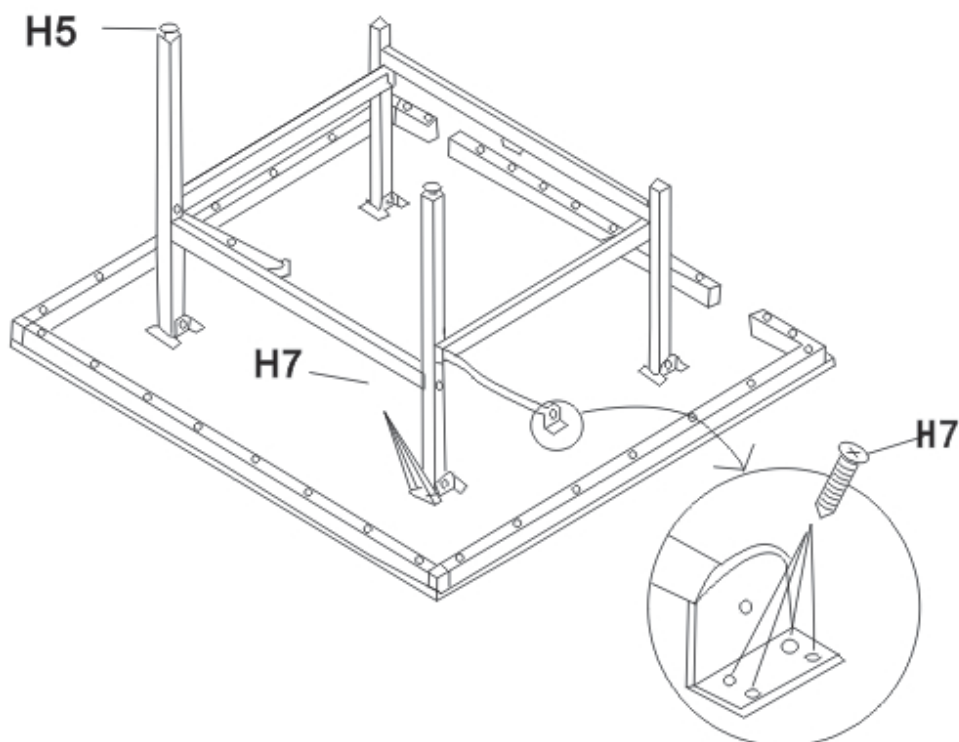


FIGURE 2 Fix the undercarriage



H7

FIGURE 3 Fix the lock

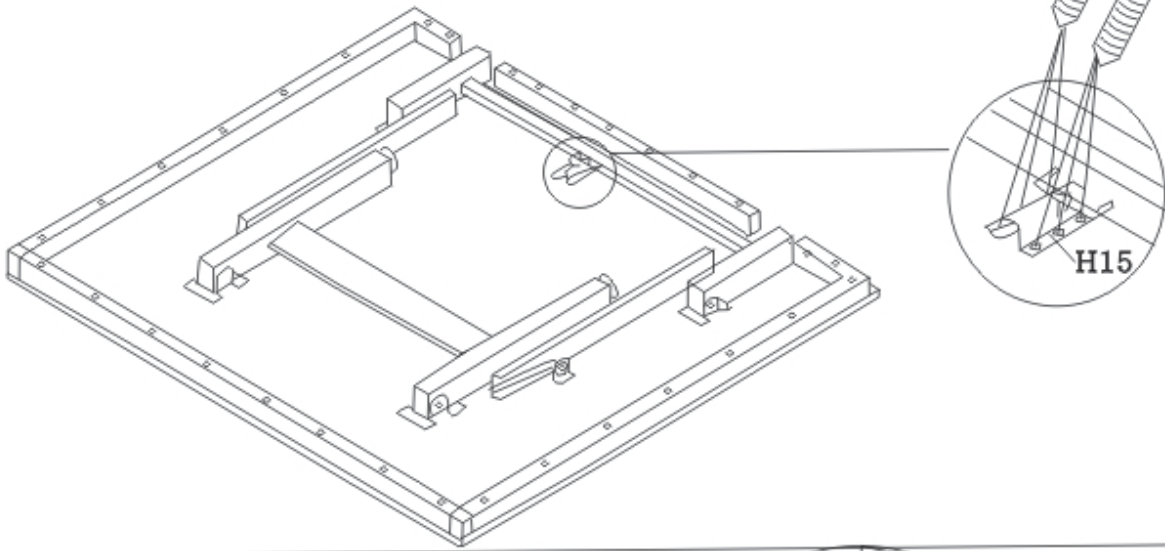


FIGURE 4 Fix the T-Leg

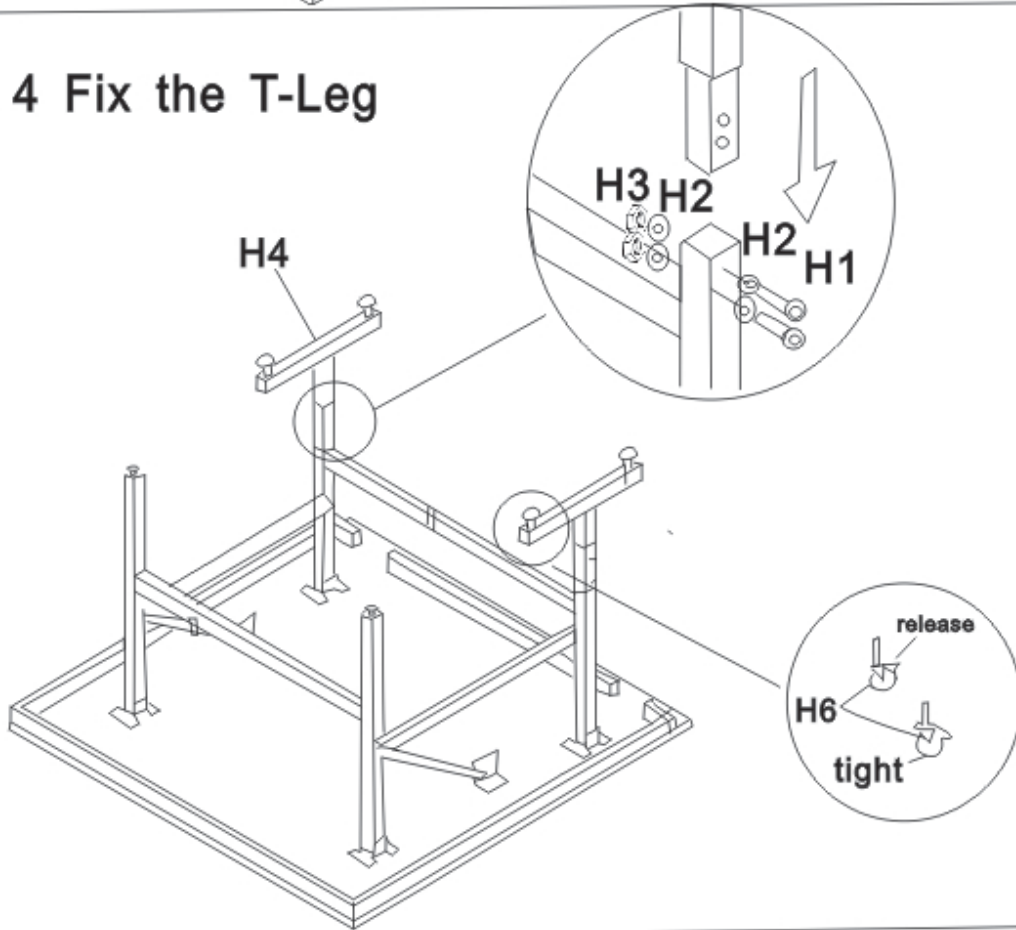


FIGURE 5

